



Republic of the Philippines
Government of Ormoc City
BIDS AND AWARDS COMMITTEE
Ormoc City

OCA

P.R. No.: 241751

Quotation No.: 244191-2386

PhilGEPs No.: _____

Standard Form Title:

REQUEST FOR QUOTATION

Please quote your lowest price on the item/s listed below, subject to the General Conditions on the last page, stating the shortest time of delivery and submit your quotation duly signed by you or your authorized representative not later than _____

KATHERYN A. SOLAÑA
PROCUREMENT OFFICER

- NOTE:** (1) ALL ENTRIES MUST BE TYPEWRITTEN OR LEGIBLY WRITTEN.
(2) DELIVERY PERIOD WITHIN 30 C.D. UPON RECEIPT OF THE APPROVED FUNDED PURCHASE ORDER (P.O.). Administrative penalties pursuant to Sec. 69 of the Revised IRR-RA 9184 shall be for a minimum for non-delivery without valid reason.
(3) WARRANTY SHALL BE FOR A PERIOD OF THREE (3) MONTHS OF SUPPLIES & MATERIALS, ONE (1) YEAR FOR EQUIPMENT, FROM DATE

- OF ACCEPTANCE BY THE END-USER. (4) PRICE VALIDITY SHALL BE FOR A PERIOD OF SIXTY (60) DAYS. (5) G-EPS REG NO., MAYORs PERMIT, DTI/SEC, AND FOR ABC's ABOVE 500K - ITR & OMNIBUS SWORN STATEMENT SHALL BE ATTACHED UPON SUBMISSION (6) BIDDERS SHALL SUBMIT ORIGINAL BROCHURES SHOWING CERTIFICATIONS OF THE PRODUCTS IF APPLICABLE. (7) THE **APPROVED BUDGET CEILING** FOR THIS PROCUREMENT IS (amount indicated below)

Php 245,000.00

	Activities	Schedule	
		FROM	TO
1	Issuance of Canvass	Tuesday June 25, 2024	Friday June 28, 2024
2	Submission of Canvass	Monday July 01, 2024	10:00 AM
3	Opening of Canvass	Monday July 01, 2024	2:00 PM

#	Item and Description	QTY	UNIT COST	TOTAL
1	Rack, steel	5 unit		
	<i>SPECIFICATIONS:</i>			
	6 layers adjustable shelves			
	Size; L x W x H (96" x 16" x 120")			
	Slotted Angle Bar Size: 1 1/2" x 2", 2mm thickness			
	Shelves Platform made of 1/2' Marine Plywood			
	Supply, Delivery and Installation			
	see attached photo and illustration			
2	Shelves, Open	2 unit		
	<i>SPECIFICATIONS</i>			
	6 layer Adjustable Metal Shelves			
	Powder Coated Paint, Color: Biege			
	Slotted Frame, Good Quality			
	L x W x H (915 x 500 x 2000mm)			
	Supply, Delivery & Installation (See Attached Photo)			
3	Executive Chair	1 unit		
	Leatherette Material			
	High Back Chair			
	With Headrest Pillow and Lumbar Support			
	With Adjustable Armrest, Adjustable Tilting Resistance			
	180 Degrees Reclining			
	Full Steel Frame, Water Resistant			
Sub-Total >>>				

Brand and Model : _____
Delivery Period : _____

Warranty : _____
Price Validity : _____

After having carefully read and accepted your Conditions, I/We quote you on the item at prices noted above and hereby commit to deliver the same if adjudged to have the lowest and responsive quotation.

Business Name

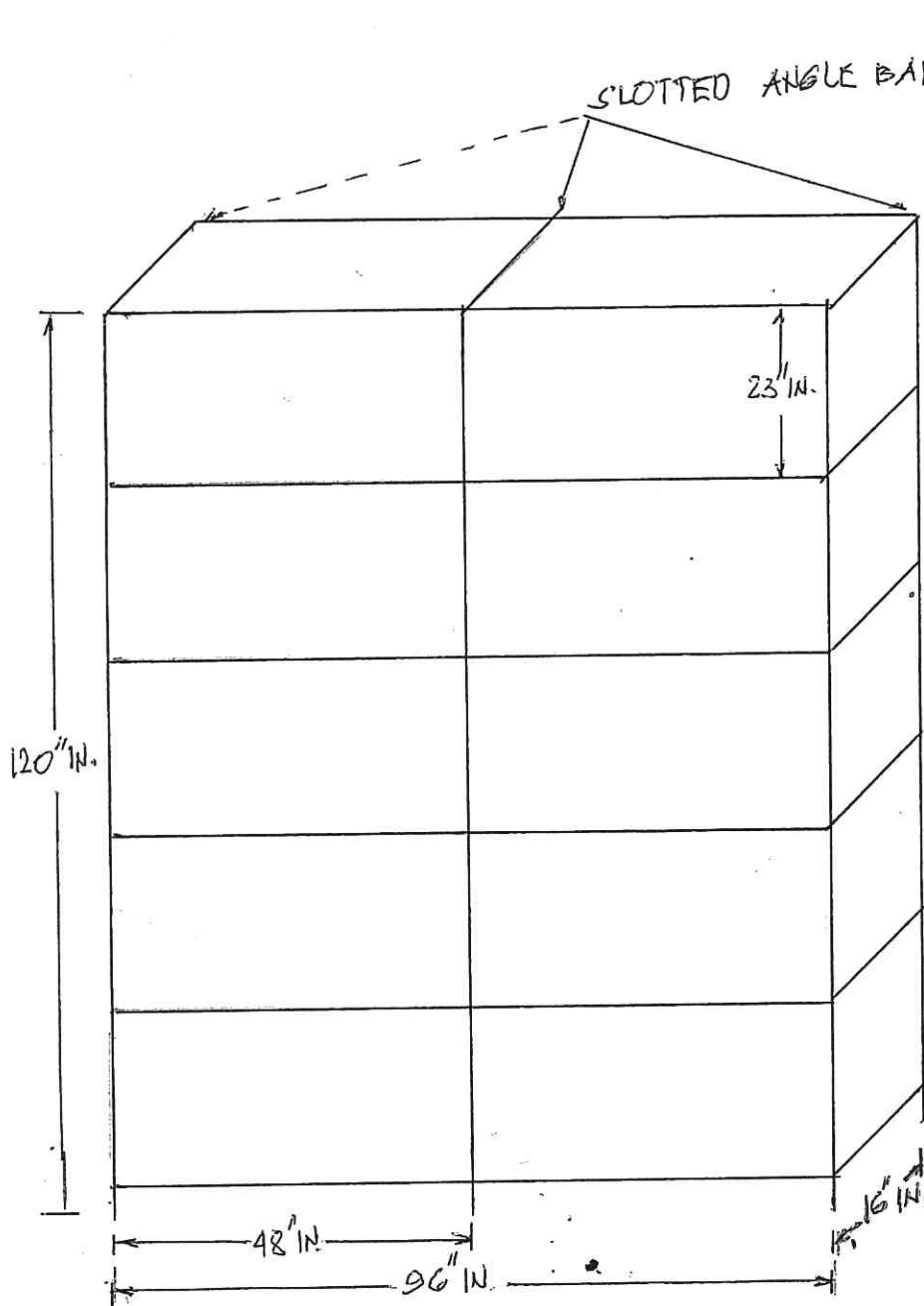
Printed Name/Signature/Date

2024-06-241751



STEEL RACK





SLOTTED ANGLE BAR 1 1/2" X 2" X 2MM THICKNESS

SHELVES PLATFORM 1/2 MM THICK PLYNE

STEEL RACK

SHELVES, OPEN



EXECUTIVE CHAIR



CHAIR

